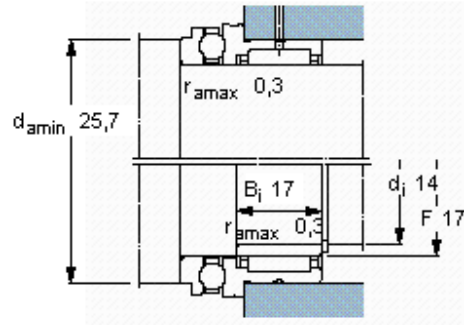
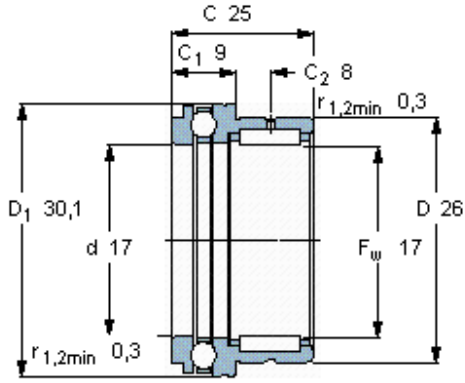


1_18, needle roller/full complement thrust ball bearings

Principal dimensions			Basic load ratings				Speed ratings		Limiting speed	Designation
Fw	D	C	radial dynamic C	static C0	axial dynamic C	static C0	Reference speed			
mm			kN				r/min		-	
17	26	25	12,1	16,6	10,8	19,6	8500	12000	NKX 17	



Appropriate inner ring

IR 14x17x17